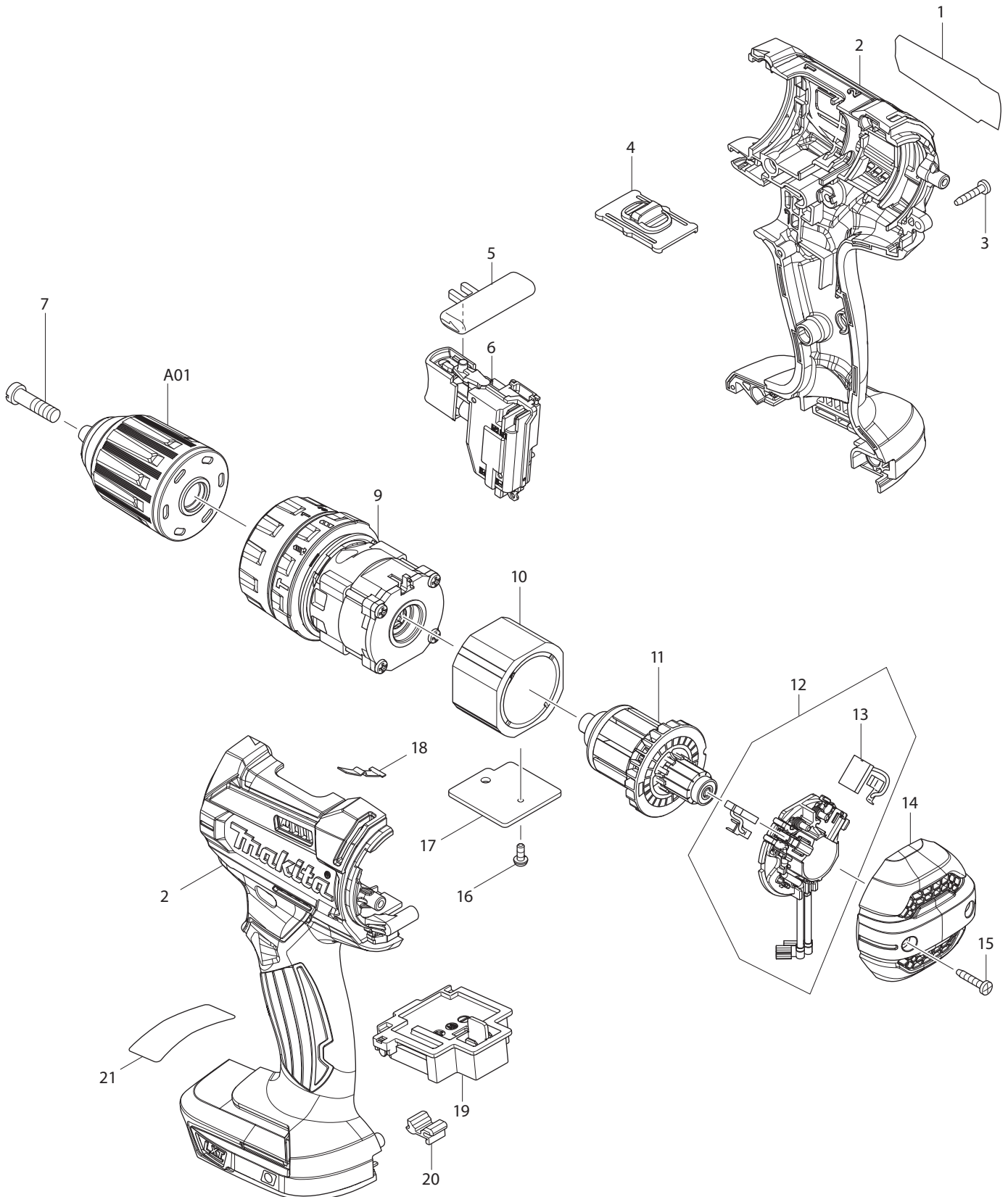




07 - 2015
DHP482RFE / DHP482SYE / DHP482Z
18V LXT 1/2" Hammer Driver Drill



PARTS LIST

Item No	Type	Part No	Description	Qty	Unit
001	2	857L25-5	DHP482 NAME PLATE	1	PC.
002		183B65-0	HOUSING SET	1	PC.
002	INC.	263005-3	RUBBER PIN 6	2	PC.
003		266429-2	TAPPING SCREW 3X16	9	PC.
004		123442-2	SPEED CHANGE LEVER ASSEMBLY	1	PC.
004	INC.	233438-6	COMPRESSION SPRING 4	2	PC.
005		419041-9	F/R CHANGE LEVER	1	PC.
006		650753-7	SWITCH	1	PC.
006	INC.	620444-4	LED CIRCUIT	1	PC.
007		251468-5	- FLAT HEAD SCREW M6X22	1	PC.
009		123443-0	GEAR ASSEMBLY	1	PC.
010	2	632J70-7	YOKE UNIT	1	PC.
011		619380-9	ARMATURE	1	PC.
012		632F22-4	BRUSH HOLDER COMPLETE	1	PC.
012	INC.		Item No. 13		
013		195021-6	CARBON BRUSH CB-440 2PC/SET W/ORIGIN	1	SET
014		456099-7	REAR COVER	1	PC.
015		266429-2	TAPPING SCREW 3X16	2	PC.
016	2	652066-2	+PAN HEAD SCREW M3X9 W/WASHER	1	PC.
017	2	689262-9	HEAT SINK	1	PC.
018		232182-2	LEAF SPRING	1	PC.
019		644808-8	TERMINAL	1	PC.
020		424476-1	CUSHION	1	PC.
021		806Y20-0	CAUTION LABEL	1	PC.
023		857L26-3	DHP482 SERIAL NO. LABEL (added)	1	PC.
100		251314-2	+ SCREW M4X12 F/HOOK (Item No. A02)	1	PC.
A01		766027-7	1/2" KEYLESS DRILL CHUCK	1	PC.
A02		346449-3	HOOK	1	PC.
A03		784637-8	SQUARE DOUBLE ENDED BIT 2-45	1	PC.
A04		452947-8	BIT HOLDER	1	PC.
A05		---	18V LI-ION BATTERY		
A06		---	BATTERY CHARGER		
A07		---	LI-ION BATTERY ACCESSORIES		
A08		824812-5	PLASTIC CARRYING CASE	1	PC
C01		878182-4	CARTON	1	PC.